

# TFT Information Display

## GFN

The full-color, full-graphics display with fine pixel pitch perfectly displays text, graphic symbols, images, videos, web pages and live broadcasts. High brightness ensures excellent readability even in sunlight. Interactive touchscreen variant available. Thanks to the special Text-To-Speech module, even visually handicapped can use our information systems. They are provided with the necessary traffic information via synthetic voice output. The panels are suitable for outdoor use.



# Features

## TFT Technology

TFT technology allows free configuration of screen areas. Full graphic display with fine pixel pitch perfectly displays text, graphic symbols, images, videos, web pages and even live broadcasts.

- High brightness display guarantees excellent readability even in direct sunlight.
- Fully graphic display shows public transport information, train and bus departures, general passenger information as well as advertising messages and other multimedia.
- Interactive variant with a touchscreen.

## Information System

Possibility of making the display as an autonomous display element or as part of larger information system.

- Management by an external master computer makes tracking and controlling easier.
- Power and runtime data are automatically monitored.

## Mechanical Design

- Stable construction made of aluminium and stainless steel elements in RAL color of customer's choice.
- Highly durable laminated safety glass (LGS) with 6.8 mm thickness and anti-reflective coating.
- Wall mounting.
- Single sided design, horizontal or vertical screen orientation.
- Cooling is ensured by temperature controlled fans with fault detection and dust filters.
- Easy access to all internal modules after tilting the front panel makes easier to check up and replace internal parts.

## Operation

- The display is designed for reliable usage 24/7 in indoor or outdoor conditions.
- Choose from two types of modes according displays usage.

## Text-to-Speech Module

Specially developed module for visually handicapped person.

- The module provides the necessary information via synthetic voice output from 8W speakers.

## Various Areas of Use



Public Transport and Bus Stops



Train Stops and Stations



Railway Station



TFT Technology



Full Color RGB Display



Touch Display Option



Brightness up to 2 500 nits



Usage 24/7



Management and Monitoring System



Integrated Temperature Control



Option WiFi, LTE or Fiber Optics



Text-To-Speech Module

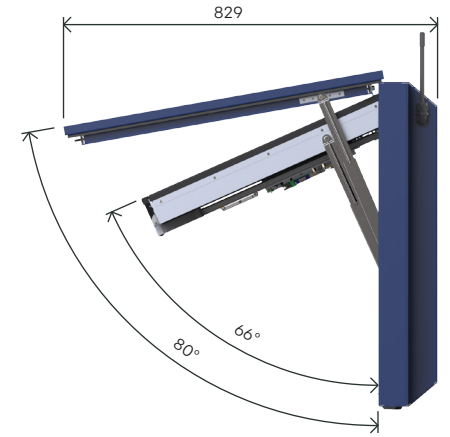
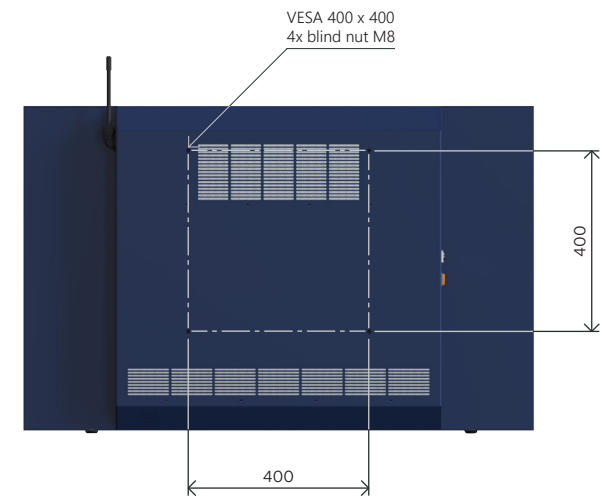
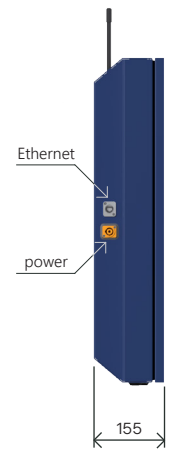
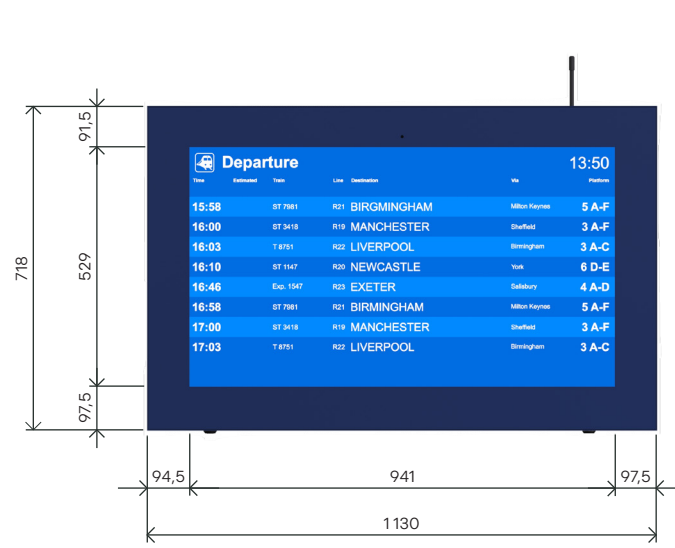
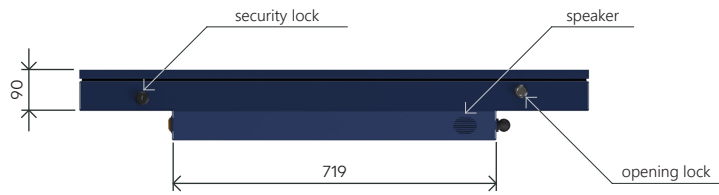


Suitable for Outdoor Use

# Technical parameters

GFN.		43.700	43.1500	43.2500	55.2500
Display	size		43"		55"
	type	industrial, TFT, 24/7, HTNI			
	brightness	700 nits	1 500 nits	2 500 nits	2 500 nits
	contrast	3 000:1	4 000:1	1300:1	1100:1
	number of colors	16,7 million			
	brightness control	automatically controlled by ambient light conditions			
	resolution	1 920 x 1 080 px (Full-HD)			
	viewing angle	178° / 178°			
	screen orientation	horizontal (landscape) or vertical (portrait)			
	Casing	construction	aluminium and stainless steel casing and profiles		
service access		tilting frame with cover glass			
glass		laminated safety glass (LSG), thickness 6.8 mm, anti-reflective coating			
dimensions [mm] W × H × D			1 130 × 718 × 155		1 400 × 875 × 215
weight [kg]			50		70
protection degree		IP 54			
surface finish		powder coated paint			
security		industrial lock with special key			
noise level		max. 69 dB – at maximum cooling system power			
Temperature Management		cooling	temperature controlled fans with fault detection and dust filters		
	heating		90 W		100 W
	operation temperature	-20 to +40 °C			
	storage temperature	+5 to +45 °C			
	humidity	10 to 90 %, without humidity			
	max. intensity of solar radiation	1 120 W/m <sup>2</sup>			
Connectivity	standard	LAN			
	on request	WiFi, LTE, fiber optics			
Power	power voltage	100–240 VAC / 50–60 Hz			
	max. power consumption	230 W	290 W	400 W	500 W
Option		Text-to-Speech module with 8W speaker and receiver for visually handicapped			
		touch screen control			
Mounting		wall bracket, VESA 400 x 400 mm, 4x M8			wall bracket, VESA 600 x 400 mm, 4x M8

# GFN.43 Dimensions



# Order Reference

**1 Display Size**

43" TFT display	43
55" TFT display	55

**2 Display Brightness**

700 nits (not available for 55" display)	700
1500 nits (not available for 55" display)	1500
2 500 nits	2500

**3 Design**

Single sided	N
Single sided with touchscreen display	NT

**4 Screen Orientation**

Horizontal	H
Vertical	V

**5 Options**  
(if more than one options is selected, include the extension code in order indicated separated by dot)

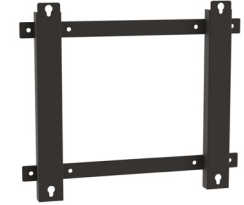
Anti-Vandal buttons for visually handicapped	VIB
Text-to-Speech module with 8W speaker and receiver for visually handicapped	TTS
LAN connectivity	LAN
WiFi connectivity	WiFi
LTE connectivity	LTE
Fiber optics connectivity	FO

**6 Frame Color**

Matte black	RAL9005
Light grey	RAL7040
Anthracite	RAL7016
Frame color on request	RALxxxx

**Accessories**

Fixed wall holder	WHF
Tilt-able wall holder	WHT



Fixed wall holder



Tilt-able wall holder



VIB option

Order example:

**GFN.43.1500.NT.V.FO.TTS.RAL5003**

GFN	<b>1</b>	<b>2</b>	<b>3</b>	<b>4</b>	<b>5</b>	<b>5</b>
	Display Size	Display Brightness	Design	Screen Orientation	Options	Frame Color

# Get in Touch



**ELEKON, s.r.o.**

Brněnská 364/17, Vyškov, 682 01



Tel.: +420 517 302 000



Email: [elekon@mobatime.cz](mailto:elekon@mobatime.cz)



[www.mobatime.cz](http://www.mobatime.cz)

LE-801337.06-GFN Information display-240920

## Your Partner Across Time...

We are a traditional Czech company operating in the field of timekeeping and display technology. Our success is evidenced by our continuous growth, both in terms of company size and expansion of our product range or export abroad.

Since 1995 we have been a member of the international holding MOSER-BAER AG and our products under the prestigious MOBATIME brand are exported all over the world.

